

*Aclare*<sup>®</sup>

## Filter Cartridges



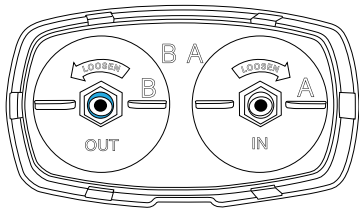
REPLACEMENT INSTRUCTIONS  
COUNTERTOP & UNDER COUNTER FILTER SYSTEMS

1. Place the filter system on a flat surface and remove the threaded filter caps by turning in the direction of the arrows (**Figure A**). To loosen, turn A cap to the right and B cap to the left.

2. Remove old filter cartridges and dispose of them in the trash. Reuse existing large o-rings as they have a 10-year lifecycle (**Figure B**).

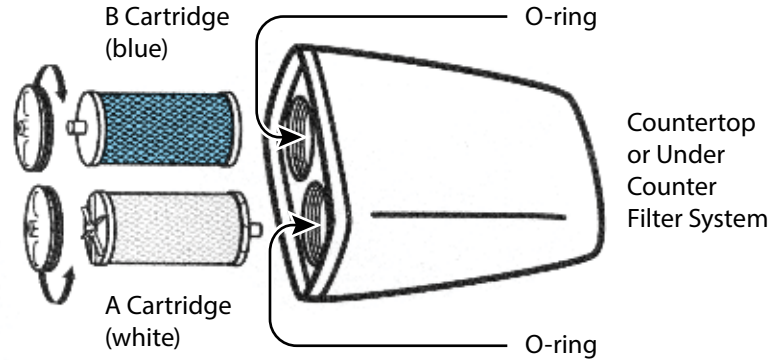
3. Install the new filter cartridges.
- Insert the A cartridge with the nipple-end first. Then, press and rotate to seat properly.
  - Install the B cartridge by inserting the nipple into the B cap.
4. Tighten the threaded filter caps firmly in the opposite direction of the arrows shown on the caps.

**Figure A**



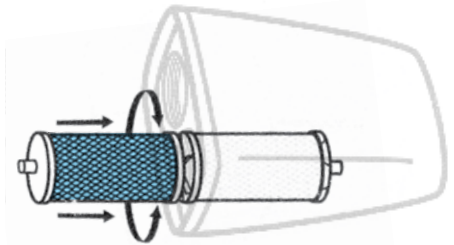
- The A cap will tighten by turning it to the left.
- The B cap will tighten by turning it to the right.
- Ensure o-ring is in place.

**Figure B**



5. Turn on the cold water and check for leaks with the filter still lying flat.
- If leaks are noticed, repeat steps 3 and 4.
  - If no leaks are noticed, return the filter to the upright position and allow the water to run for 10 minutes or until all cloudiness and discoloration have disappeared.

**TIP:** To assist with A cartridge removal, you may use the old B cartridge ribs to twist A so it will release from the housing.



**NOTE:** This product is intended for use on municipally treated cold water only. **DO NOT** use on water that is microbiologically unsafe or of unknown quality without adequate disinfection before or after the system.

Waterwise® Inc  
3608 Parkway Blvd  
Leesburg FL 34748-9399  
1-888-340-0247  
[www.healthyperceptions.com](http://www.healthyperceptions.com)